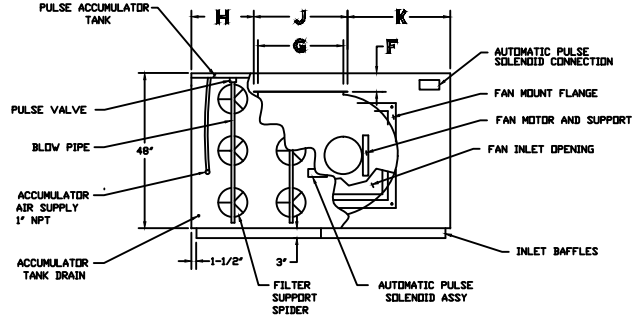


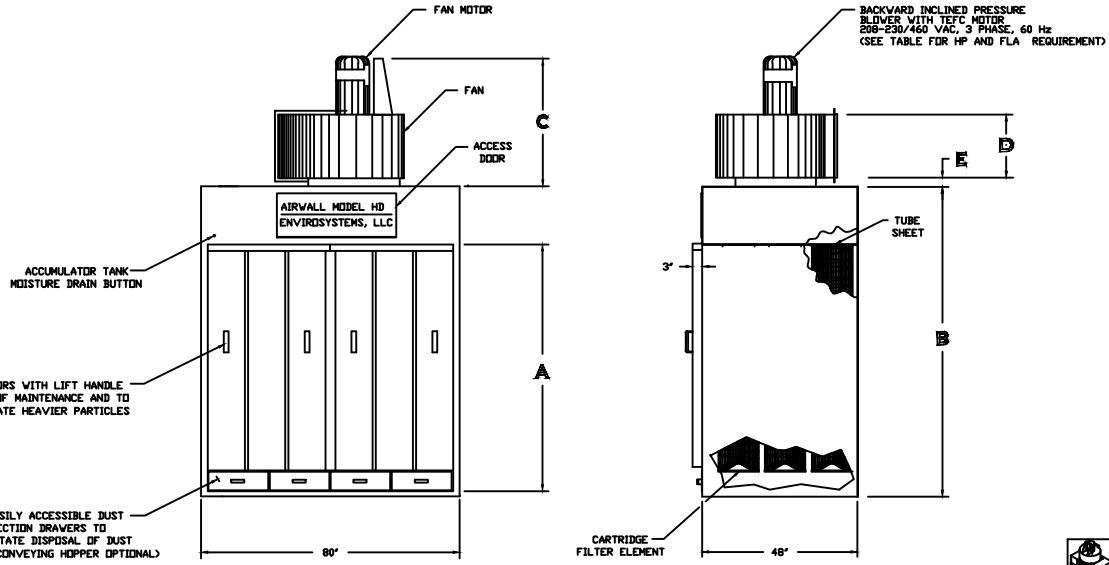
THIS DOCUMENT AND THE DATA DISCLOSED HEREIN AND HEREWITH IS NOT TO BE REPRODUCED USED OR DISCLOSED IN WHOLE OR IN PART TO ANYONE WITHOUT THE WRITTEN AUTHORIZATION OF ENVROSYSTEMS.

NO PART OF THIS DRAWING AND THE INFORMATION CONTAINED HEREIN IS TO BE REPRODUCED OR TRANSMITTED IN ANY FORM OR BY ANY MEANS, ELECTRONIC OR MECHANICAL, INCLUDING PHOTOCOPYING, RECORDING, OR BY ANY INFORMATION STORAGE AND RETRIEVAL SYSTEM.

ITEM	QTY	P/N	DESCRIPTION
------	-----	-----	-------------



- NOTES:**
- ALL SYSTEMS INCORPORATE REVERSE PULSE-JET CLEANING USING AUTOMATIC SEQUENCE CONTROL, DIAPHRAGM VALVES, AIR PRESSURE ACCUMULATOR TANK & PULSE-JET BLOW PIPE, FACTORY ASSEMBLED. FAN SHIPPED SEPARATELY.
 - CONSTRUCTION 18 GAUGE GALVANIZED STEEL ON STRUCTURAL SQUARE STEEL TUBE FRAME.
 - LARGE AREA AIR INLET REDUCES AIR VELOCITIES THROUGH BAFFLES; RESULTS IN LOWER OPERATING PRESSURE DROP AND LESS HP REQUIREMENT.
 - FIELD CONNECTION POINTS:
ELECTRICAL: 3 PH. LINE TO STARTER AND STARTER TO MOTOR.
1 PH. 120V, TO PULSE CONTROL SYSTEM.
AIR: 1" NPT FITTINGS LOCATED IN BOTTOM LEFT TUBE SHEET.
 - COMPRESSED AIR REQUIRED: 90-100 PSIG OF CLEAN, DRY AIR. SYSTEM USES APPROX. 3 CFM.
 - POWER: 208/230/460 VAC, 3 PHASE, 60 HZ. SEE CHART BELOW FOR FLA REQUIREMENT 120 VAC, 1 PH, 60 HZ. (5.0 A)
 - OPTIONS (SELECT AS REQUIRED)
 - SAFETY MONITORING FILTER PACKAGE DOES NOT INCLUDE DUCTING FROM FAN (CONSULT FACTORY) (SHIPPED LOOSE)
 - SAFETY FILTER, ASHRAE 95%
 - SAFETY FILTER, HEPA
 - 380/575 VAC ELECTRICAL SYSTEMS
 - 50 HZ ELECTRICAL SYSTEMS
 - FAN SILENCERS. (SHIPPED LOOSE)



MODEL NO.	TOTAL CFM	QTY REQ'D	CARTRIDGE FILTER ELEMENT	BLOWER	FAN INLET OPENING	A	B	C	D	E	F	G	H	J	K	AIRWALL PART NO.	MOTOR FLA @ 208/230V 460V
AV100HD	10,000	20	4.725	2.12 : 1	10 HP	31X31	78"	96"	36"	20"	2"	27-3/8"	27-3/8"	31-3/8"	31-3/8"	1007	32.2/28.0 14.0
AV120HD	12,000	20	4.725	2.54 : 1	15 HP	34X34	78"	96"	41"	18-1/4"	2"	27-3/8"	27-3/8"	31-3/8"	31-3/8"	1009	48.3/42.0 21.0
AV160HD	16,000	30	6.975	2.29 : 1	20 HP	34X34	78"	96"	42"	20-1/8"	2"	30-1/16"	30-1/16"	34-1/8"	34-1/8"	1010	62.1/54.0 27.0
AV200HD	20,000	30	6.975	2.87 : 1	25 HP	34X34	78"	96"	42"	22-1/8"	2"	30-1/16"	30-1/16"	34-1/8"	34-1/8"	1020	75.2/68.0 34.0

	DRAWN: KEA CHECKED: GL ENGR: KEA DESIGNER: KEA	DATE: 2/10/91 DATE: 2/10/91 DATE: 1/10/91 DATE: 1/10/91	TITLE: AIRWALL MODEL HD GENERAL DATA
	APPROVALS:	DATE:	REVISION HISTORY:
	NO NET SCALE DRAWING 1 INCH = 1/2 INCH	DATE:	CHANGE DESCRIPTION:

ENVROSYSTEMS, LLC
 5000 E. President's St.
 TUCSON, AZ 85714
 800-999-4501

NO NET SCALE DRAWING 1 INCH = 1/2 INCH